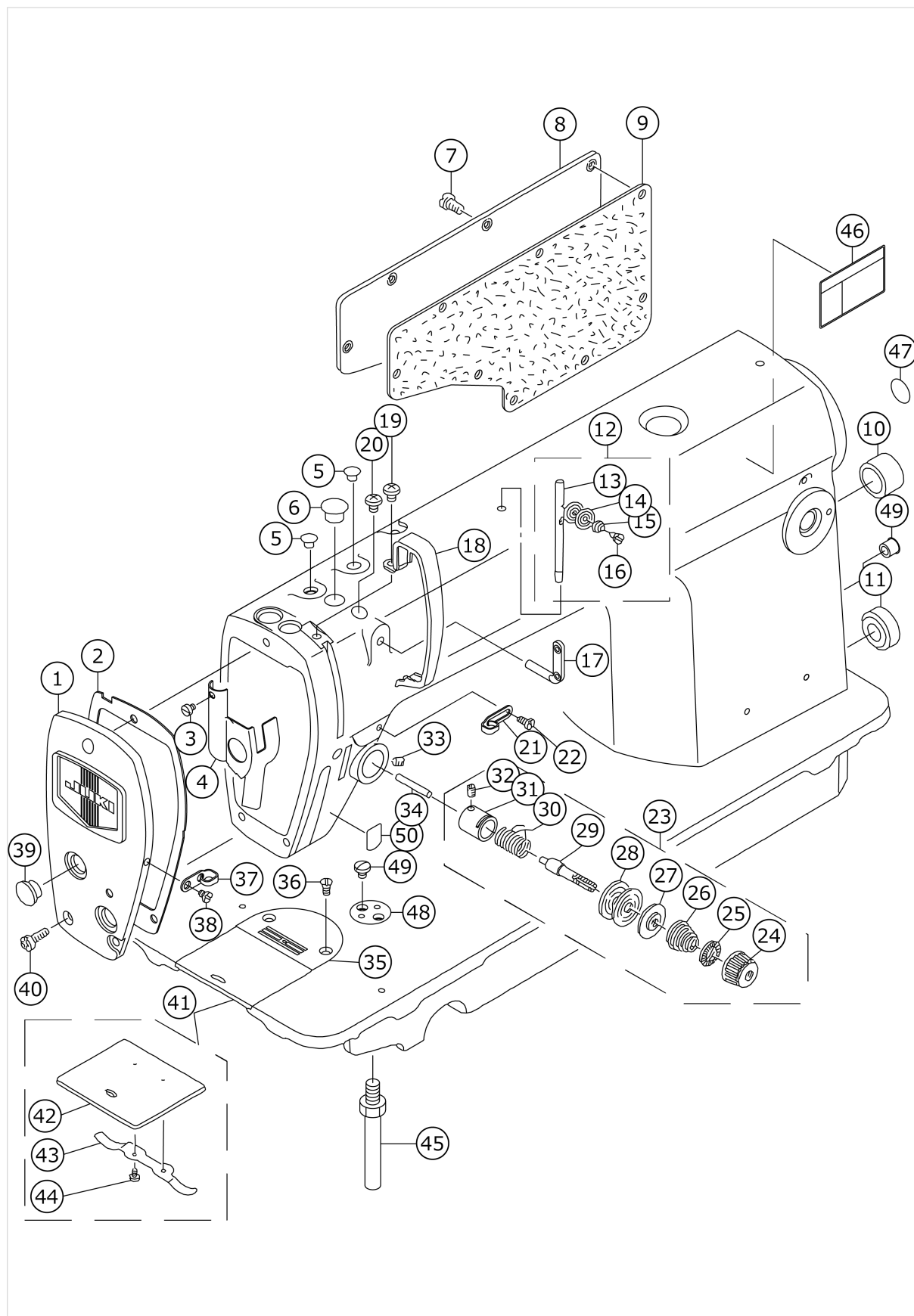


DDL-8300

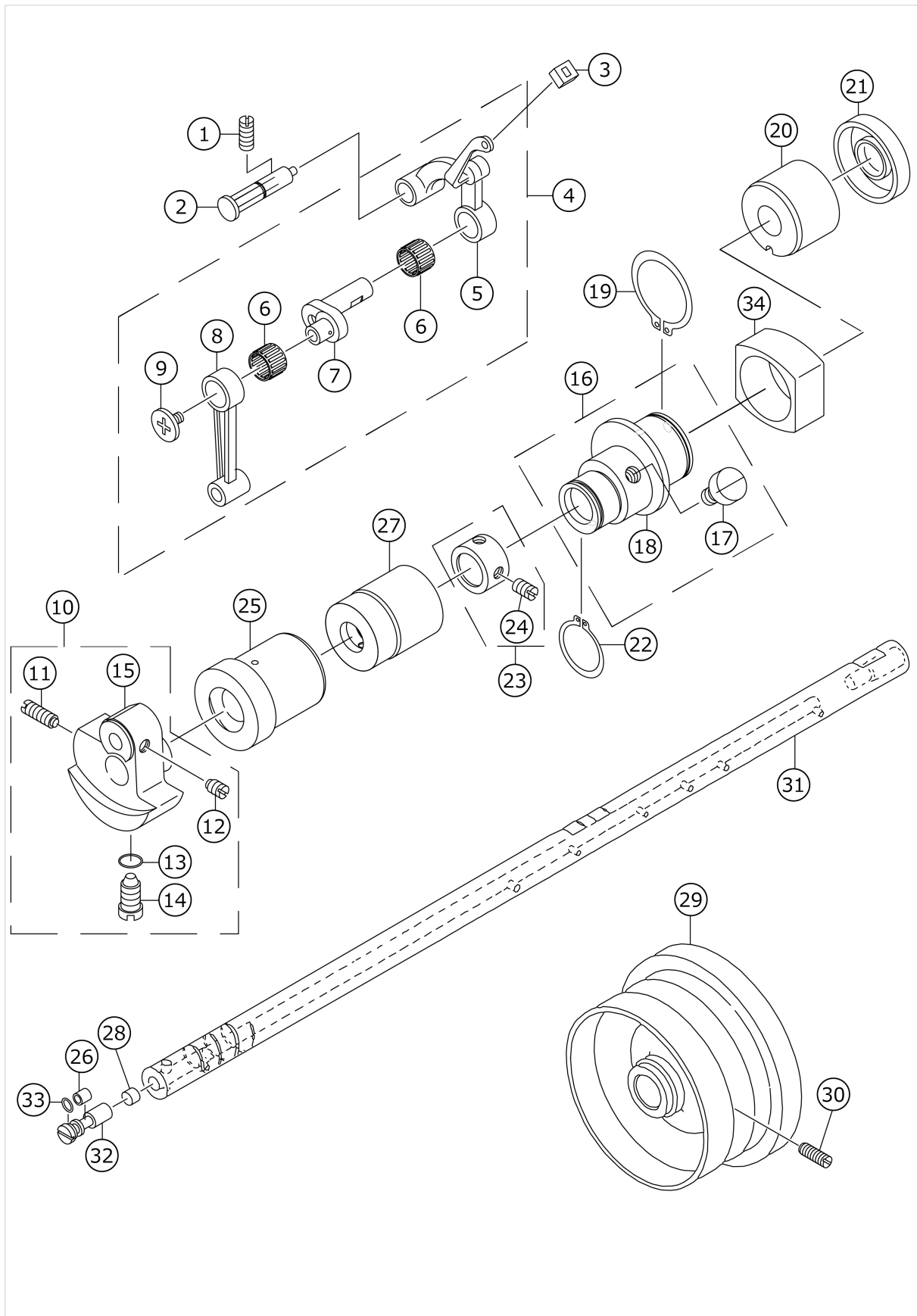
MACHINE FRAME & MISCELLANEOUS COVER COMPONENTS



No.	品番	品名	備考	子部品	消耗品	個数
1	22902159	FACE PLATE ASM.				1.00
2	22902209	FACE PLATE GASKET				1.00
3	SS6080410SP	SCREW 1/8-44 L=4				1.00
4	22900757	ARM OIL SHIFLD ASM.				1.00
5	TA0850604R0	RUBBER PLUG				2.00
6	TA1250705R0	RUBBER PLUG				1.00
7	SS4120915SP	SCREW 3/16-28 L=9				8.00
8	22900401	SIDE PLATE				1.00
9	11000619	GASKET				1.00
10	TA2000502R0	RUBBER PLUG				1.00
11	TA2101002R0	RUBBER PLUG				1.00
12	22932552	THREAD GUIDE ROD ASM.				1.00
13	22932503	THREAD GUIDE ROD		*		1.00
14	22932602	TENSION DISK		*		2.00
15	22932701	TENSION SPRING		*		1.00
16	SD0380552SL	HINGE SCREW D=3.8 H=5.5		*		1.00
17	22920706	TWO-HOLE THREAD EYELET				1.00
18	22900609	THREAD TAKE-UP LEVER COVER				1.00
19	SS4120615SP	SCREW 3/16-28 L=6				1.00
20	SS4120615SP	SCREW 3/16-28 L=6				1.00
21	22920508	ARM THREAD GUIDE A				1.00
22	11001500	SCREW				1.00
23	22945356	THREAD TENSION ASM.				1.00
24	22921308	TENSION NUT		*		1.00
25	22921407	ROTATING STOPPER		*		1.00
26	22921704	TENSION SPRING A		*		1.00
27	22921803	THREAD TENSION DISK PRESSER		*		1.00
28	22921506	THREAD TENSION DISK		*		2.00
29	22921209	TENSION POST		*		1.00
30	22921605	THREAD TAKE-UP SPRING		*		1.00
31	22945307	TENSION POST SOCKET		*		1.00
32	SS8090670SP	SCREW 9/64-40 L= 5.5		*		1.00
33	SS8150710SP	SCREW 15/64-28 L=7				1.00
34	B3118552E00	TENSION RELEASING				1.00
35	22965909	THROAT PLATE				1.00
36	SS2110920TP	SCREW 11/64-40 L=8.5				2.00
37	22920607	ARM THREAD GUIDE B				1.00
38	SS6110610TP	SCREW 11/64-40 L=6				1.00
39	TA1250406R0	RUBBER PLUG D=12.5 L=4				2.00
40	SS4120915SP	SCREW 3/16-28 L=9				3.00
41	22902753	BED SLIDE ASM.				1.00
42	22902704	SLIDE PLATE		*		1.00
43	22901300	BED SLIDE SPRING		*		1.00
44	SS6060210SP	SCREW 3/32-56 L= 1.9		*		2.00
45	22901003	BED SCREW STUD				4.00
46	CM3002001A1	SAFETY LABEL.,3 (SMALL).				1.00
47	22901805	GROUND MARK				1.00
48	22902605	SULER STOPPER				1.00
49	TA0950806R0	RUBBER PLUG				2.00
50	22967301	NEEDLE SEAL				1.00

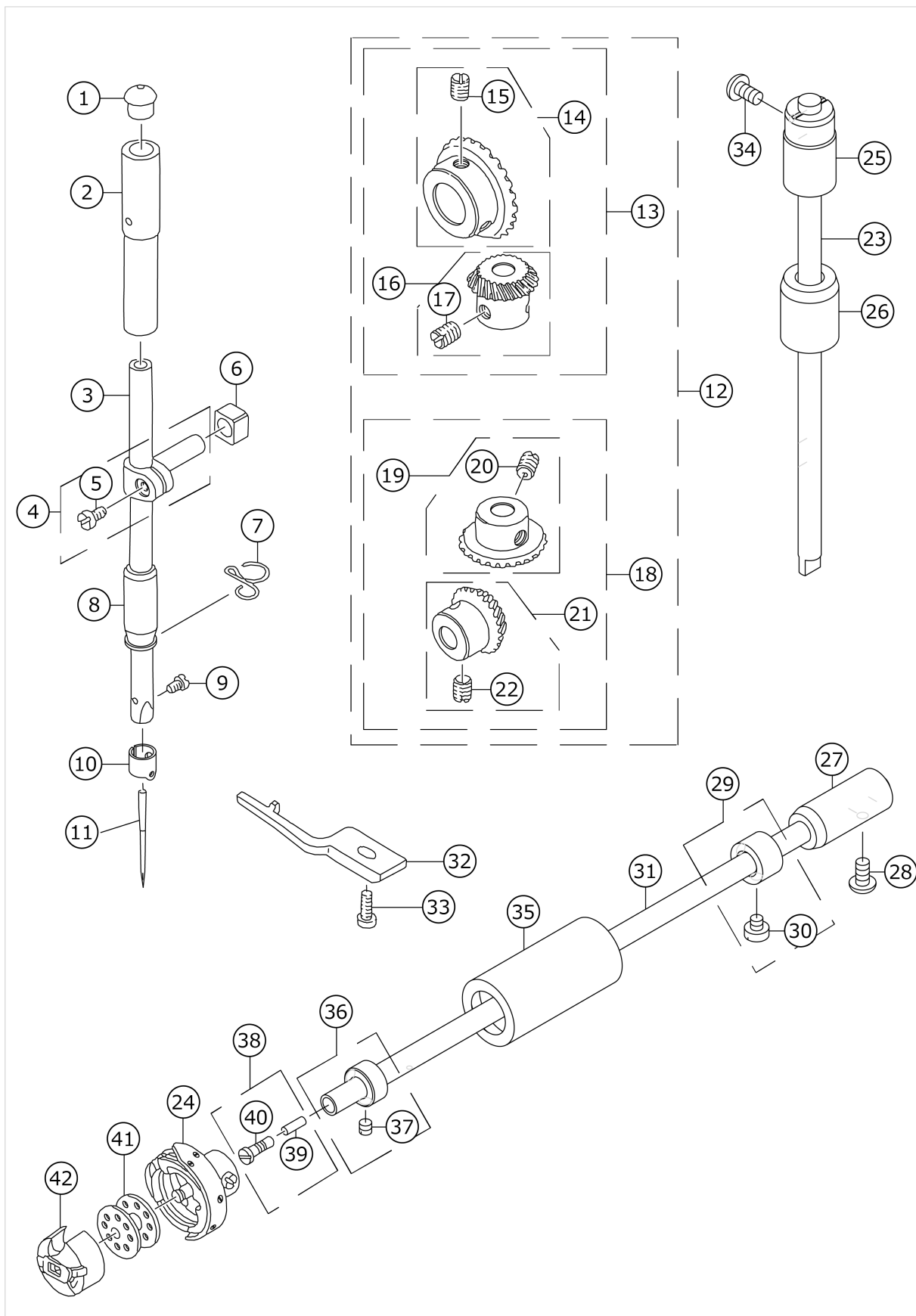


# MAIN SHAFT & THREAD TAKE-UP LEVER COMPONENTS



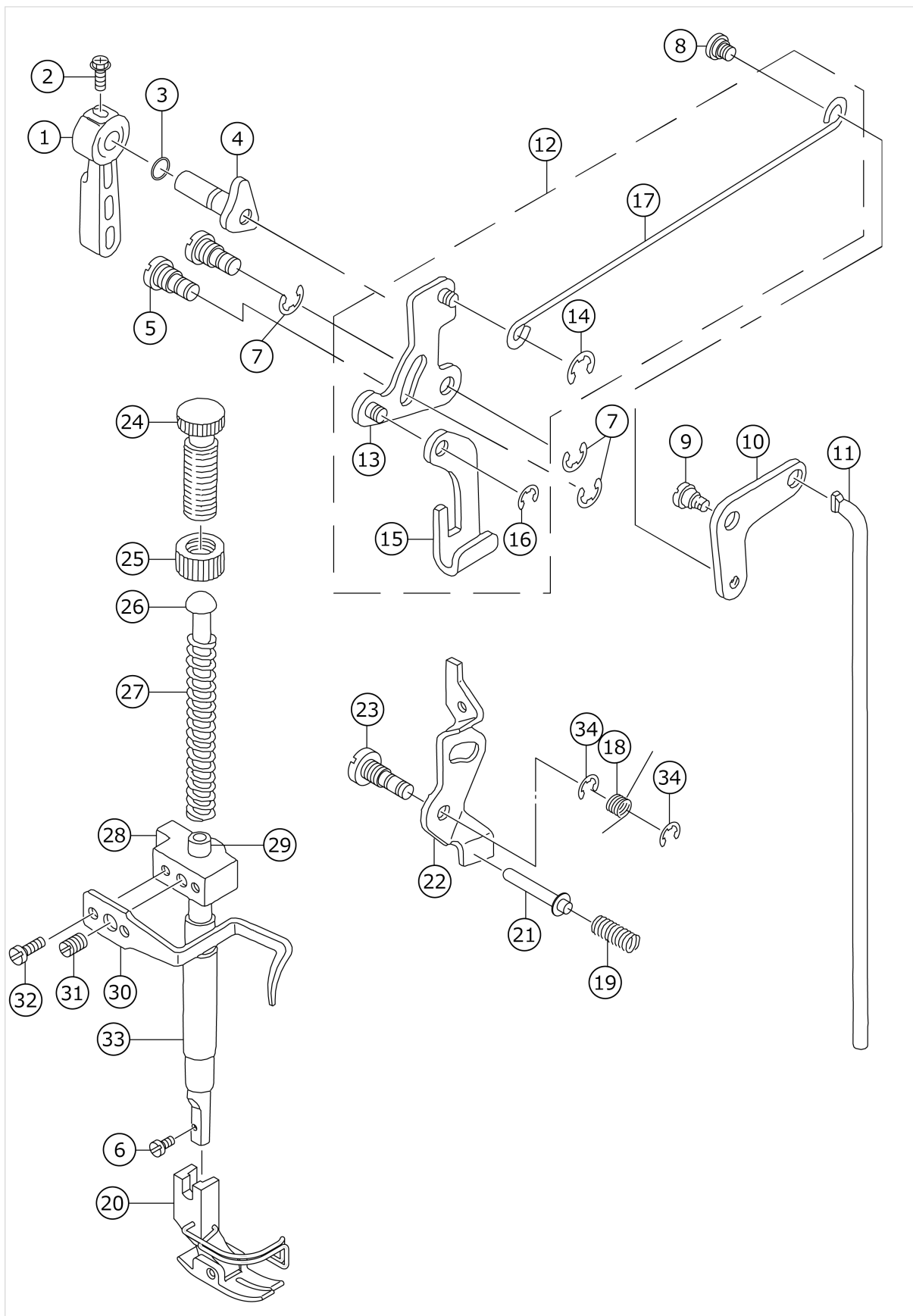
No.	品番	品名	備考	子部品	消耗品	個数
1	SS8151150SP	SCREW 15/64-28 L=10.5				1.00
2	22919559	THREAD TAKE-UP CRANK SHAFT ASM				1.00
3	22919203	RUBBER				1.00
4	22918072	THREAD TAKE-UP LEVER COMPL.				1.00
5	22918064	THREAD TAKE-UP LEVER ASM.		*		1.00
6	22918502	NEEDLE BEARING B	SELECTING PART	*		2.00
7	22918106	NEEDLE BAR CRANK		*		1.00
8	22906606	NEEDLE BAR CRANK ROD		*		1.00
9	22918304	LEFT SCREW		*		1.00
10	22903157	COUNTER WEIGHT ASM.				1.00
11	SS8681650TP	SCREW 9/32-28 L=16		*		1.00
12	SS8660610TP	SCREW 1/4-40 L=6		*		2.00
13	RO044240100	RUBBER RING		*		1.00
14	SS7681650TP	SCREW 9/32-28 L=16		*		1.00
15	22903108	COUNTER WEIGHT		*		1.00
16	22966154	FEED DRIVE ECCENTRIC CAM ASM.				1.00
17	SS6661110SP	SCREW 1/4-40 L=11		*		2.00
18	22966105	FEED DRIVE ECCENTRIC CAM		*		1.00
19	RC2501211KP	SNAP RING 25.0				1.00
20	22903405	MAIN SHAFT BUSHING, REAR				1.00
21	22903504	OIL SEAL				1.00
22	RC1850001KP	SNAP RING 18.5				1.00
23	22904155	THRUST COLLAR ASM.				1.00
24	SS8660610TP	SCREW 1/4-40 L=6		*		2.00
25	22903207	MAIN SHAFT FRONT BUSHING				1.00
26	22904007	OIL ADJUSTING COLLAR				1.00
27	22903306	BUSHING,INTERMEDIATE				1.00
28	22903702	ROLLER FELT				1.00
29	22927206	HAND WHEEL				1.00
30	SS8151550SP	SCREW 15/64-28 L=15				2.00
31	22903009	UPPER SHAFT				1.00
32	22903900	OIL AMOUNT ADJUSTING PIN				1.00
33	RO029180100	RUBBER RING				1.00
34	22966204	PITMAN BLOCK				1.00

# NEEDLE BAR, UPRIGHT SHAFT & HOOK DRIVING SHAFT COMPONENTS



No.	品番	品名	備考	子部品	消耗品	個数
1	22901409	CAP				1.00
2	22906101	NEEDLE BAR BUSHING ,UPPER				1.00
3	22906002	NEEDLE BAR				1.00
4	22906457	NEEDLE ROD HOLDER ASM.				1.00
5	SS6090670TP	SCREW 9/64-40 L=6		*		1.00
6	22906507	SLIDE BLOCK				1.00
7	22920805	NEEDLE BAR THREAD GUIDE				1.00
8	22906200	NEEDLE BAR BUSHING, LOWER				1.00
9	SS7080510TP	SCREW 1/8-44 L=4.5				1.00
10	22906309	NEEDLE BAR THREAD GUIDE				1.00
11	MDB100B1400	NEEDLE DBX1 #14				1.00
12	B13061550C0	GEAR & PINION ASM.				1.00
13	B13061550B0	GEAR & PINION ASM., UPPER		*		1.00
14	B13050120A0	GEAR ASM.		*		1.00
15	SS8660810TP	SCREW 1/4-40 L=8		*		2.00
16	B13061550A0	PINION ASM.		*		1.00
17	SS8660810TP	SCREW 1/4-40 L=8		*		2.00
18	B13071550B0	GEAR & PINION ASM., LOWER		*		1.00
19	B13071550A0	GEAR ASM. LARGE		*		1.00
20	SS8660810TP	SCREW 1/4-40 L=8		*		2.00
21	B13081550A0	PINION ASM.		*		1.00
22	SS8660810TP	SCREW 1/4-40 L=8		*		2.00
23	22905004	UPRIGHT SHAFT				1.00
24	B18301270A0	HOOK ASM.				1.00
25	22905103	UPRIGHT SHAFT BUSHING ,LOWER				1.00
26	22905202	UPRIGHT SHAFT BUSHING, LOWER				1.00
27	22916308	BUSHING ,REAR				1.00
28	SS4120915SP	SCREW 3/16-28 L=9				1.00
29	22917157	THRUST COLLAR ASM.				1.00
30	SS6110420TP	SCREW 11/64-40 L=4.8		*		2.00
31	22916001	LOWER SHAFT				1.00
32	22916407	BOBBIN CASE HOLDER				1.00
33	SS4110915SP	SCREW 11/64-40 L=9				1.00
34	SS4120915SP	SCREW 3/16-28 L=9				1.00
35	22916100	LOWER SHAFT FRONT METAL				1.00
36	22917058	THRUST COLLAR ASM.				1.00
37	SS8110410TP	SCREW 11/64-40 L= 3.5		*		2.00
38	22916555	OIL SEAL SCREW ASM.				1.00
39	22916605	OIL WICK		*		1.00
40	22916506	OIL SEAL SCREW		*		1.00
41	22932909	BOBBIN				1.00
42	B18370120A0	BOBBIN CASE ASM.				1.00

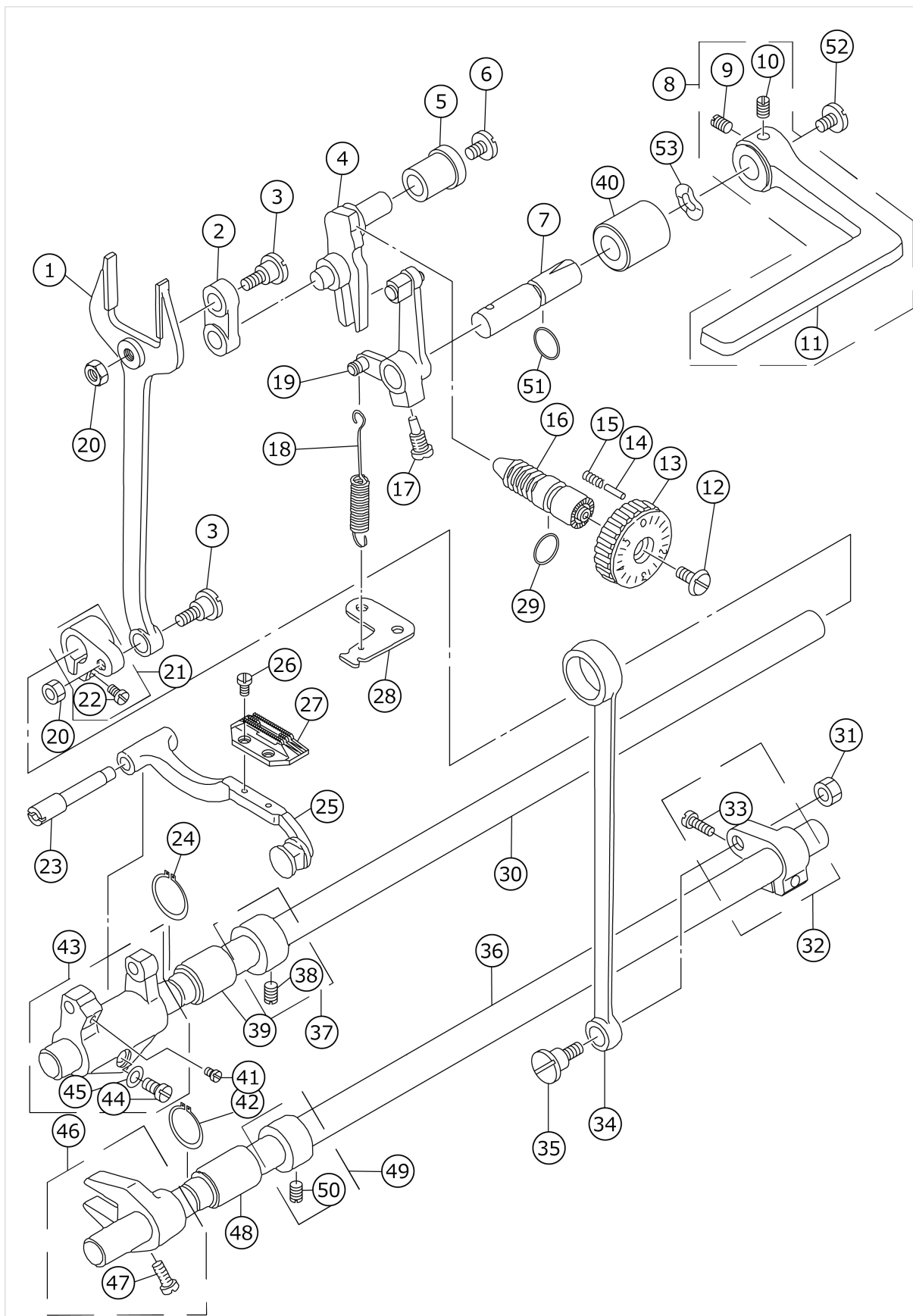
# HAND LIFTER COMPONENTS





No.	品番	品名	備考	子部品	消耗品	個数
1	22907802	HAND LIFTER				1.00
2	B1521555000	SCREW				1.00
3	RO037180100	RUBBER RING				1.00
4	22908552	HAND LIFTER CAM ASM.				1.00
5	11006509	LINK SHAFT				1.00
6	SS7091110SP	SCREW 9/64-40 L=10.5				1.00
7	RE0500000K0	E-RING				3.00
8	22908909	HINGE SCREW				1.00
9	SD0720331SP	HINGE SCREW D= 7.24 H= 3.3				1.00
10	22908800	LIFTING LEVER LINK				1.00
11	22909006	CONNECTING ROD VERTICAL				1.00
12	22908354	LIFTING LEVER CONNECTING ROD				1.00
13	22908156	HAND LIFTER LINK		*		1.00
14	RE0500000K0	E-RING		*		1.00
15	22908008	LIFTING LEVER		*		1.00
16	RE0500000K0	E-RING		*		1.00
17	22908305	LIFTING LEVER CONNECTING ROD		*		1.00
18	22920201	TENSION RELEASE RETURN SPRING				1.00
19	22920409	TENSION RELEASE PIN SPRING				1.00
20	B15240120BA	PRESSER FOOT ASM.				1.00
21	22920300	TENSION RELEASE SUPPORTING PIN				1.00
22	22920003	TENSION RELEASE PLATE				1.00
23	11018108	TENSION RELEASE SHAFT				1.00
24	22907505	PRESSER ADJUSTING SCREW				1.00
25	22907604	PRESSER ADJUSTING SCREW NUT				1.00
26	22907703	PRESSER GUIDE BAR				1.00
27	22907406	PRESSER ADJUSTING SPRING				1.00
28	22907208	PRESSER BAR GUIDE BRACKET				1.00
29	22907000	PRESSER BAR				1.00
30	22907307	PRESSER BAR THREAD GUIDE				1.00
31	SS8660810TP	SCREW 1/4-40 L=8				1.00
32	SS6090910SP	SCREW 9/64-40 L=9				2.00
33	22907109	PRESSER BAR BUSHING, LOWER				1.00
34	RE0500000K0	E-RING				2.00

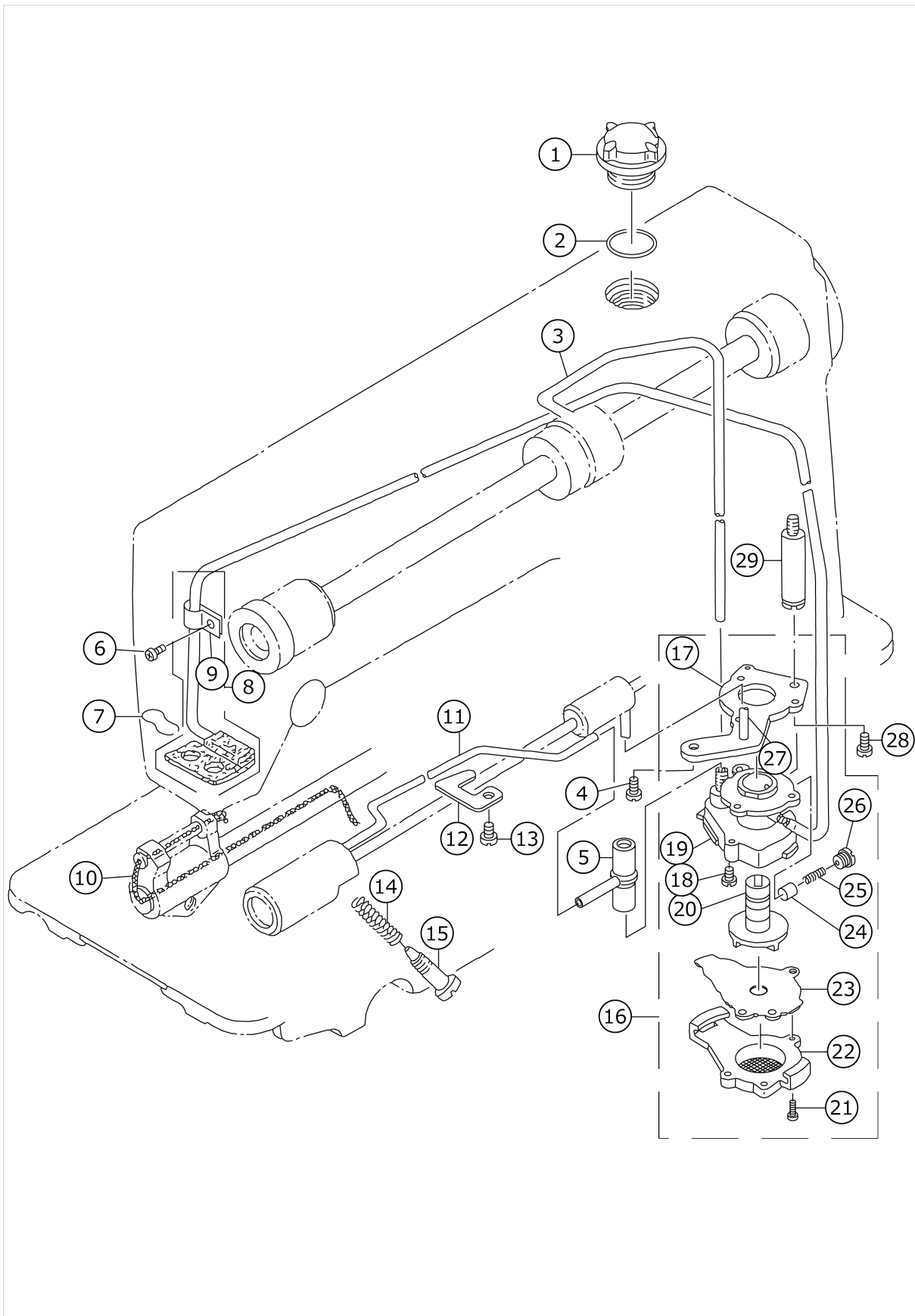
# FEED MECHANISM COMPONENTS



No.	品番	品名	備考	子部品	消耗品	個数
1	22966303	PITMAN				1.00
2	22966402	PITMAN LINK				1.00
3	SD1000801SH	HINGE SCREW D=10 H=8				2.00
4	22966600	FEED REGULATOR				1.00
5	22911705	FEED REGULATOR BUSHING				1.00
6	SS7120770SH	SCREW 3/16-28 L=7				1.00
7	22967202	FEED REVERSE SHAFT				1.00
8	22912752	FEED LEVER ASM.				1.00
9	SM8061050TP	SCREW M=6 L=10		*		1.00
10	SM8061010TP	SCREW M=6 L=10		*		1.00
11	22912703	FEED LEVER		*		1.00
12	SS6121860SP	SCREW 3/16-28 L=18				1.00
13	22911903	FEED DIAL				1.00
14	22912000	FEED REGULATOR PIN				1.00
15	22912109	FEED REGULATOR PIN SPRING				1.00
16	22911804	FEED REGULATOR SCREW				1.00
17	22912505	FEED REVERSE ARM SCREW				1.00
18	22967103	LEVER RETURN SPRING				1.00
19	22966758	LEVER CRANK ASM.				1.00
20	NS6680410SP	NUT 9/32-28				2.00
21	22966550	FEED ROCK SHAFT CRANK				1.00
22	SS7121610SP	SCREW 3/16-28 L=15.5		*		1.00
23	22913206	FEED BAR SHAF				1.00
24	RC0150001KP	RETAINING RING 13.8				1.00
25	22913354	FEED BASE ASM.				1.00
26	SS4080620TP	SCREW 1/8-44 L=6				2.00
27	B1613012A00	FEED DOG A				1.00
28	22913701	FEED SPRING HOOK				1.00
29	RO092270200	RUBBER RING				1.00
30	22912901	FEED ROCKER SHAFT				1.00
31	NS6680410SP	NUT 9/32-28				1.00
32	22915151	FEED ARM COMPL.				1.00
33	SS7121610SP	SCREW 3/16-28 L=15.5		*		1.00
34	22915003	CONNECTING ROD				1.00
35	SD1000801SH	HINGE SCREW D=10 H=8				1.00
36	22915201	FEED DRIVING SHAFT				1.00
37	22904155	MAIN SHAFT THRUST COLLAR ASM.				1.00
38	SS8660610TP	SCREW 1/4-40 L=6		*		2.00
39	22913008	FEED ROCKER SHAFT BUSHING				1.00
40	22912802	FEED LEVER SHAFT BUSHING				1.00
41	SS7110740TP	SCREW 11/64-40 L=7				1.00
42	RC0150001KP	RETAINING RING 13.8				1.00
43	22913156	FEED ROCKER ASM.				1.00
44	SS7121410TP	SCREW 3/16-28 L=14		*		1.00
45	WP0480856SP	WASHER 4.8X8.4X0.8		*		1.00
46	22915359	DRIVING SHAFT CRANK ASM.				1.00
47	SS7111120SP	SCREW 11/64-40 L=10.5		*		1.00
48	22913008	FEED ROCKER SHAFT BUSHING				1.00
49	22904155	MAIN SHAFT THRUST COLLAR ASM.				1.00
50	SS8660610TP	SCREW 1/4-40 L=6		*		2.00

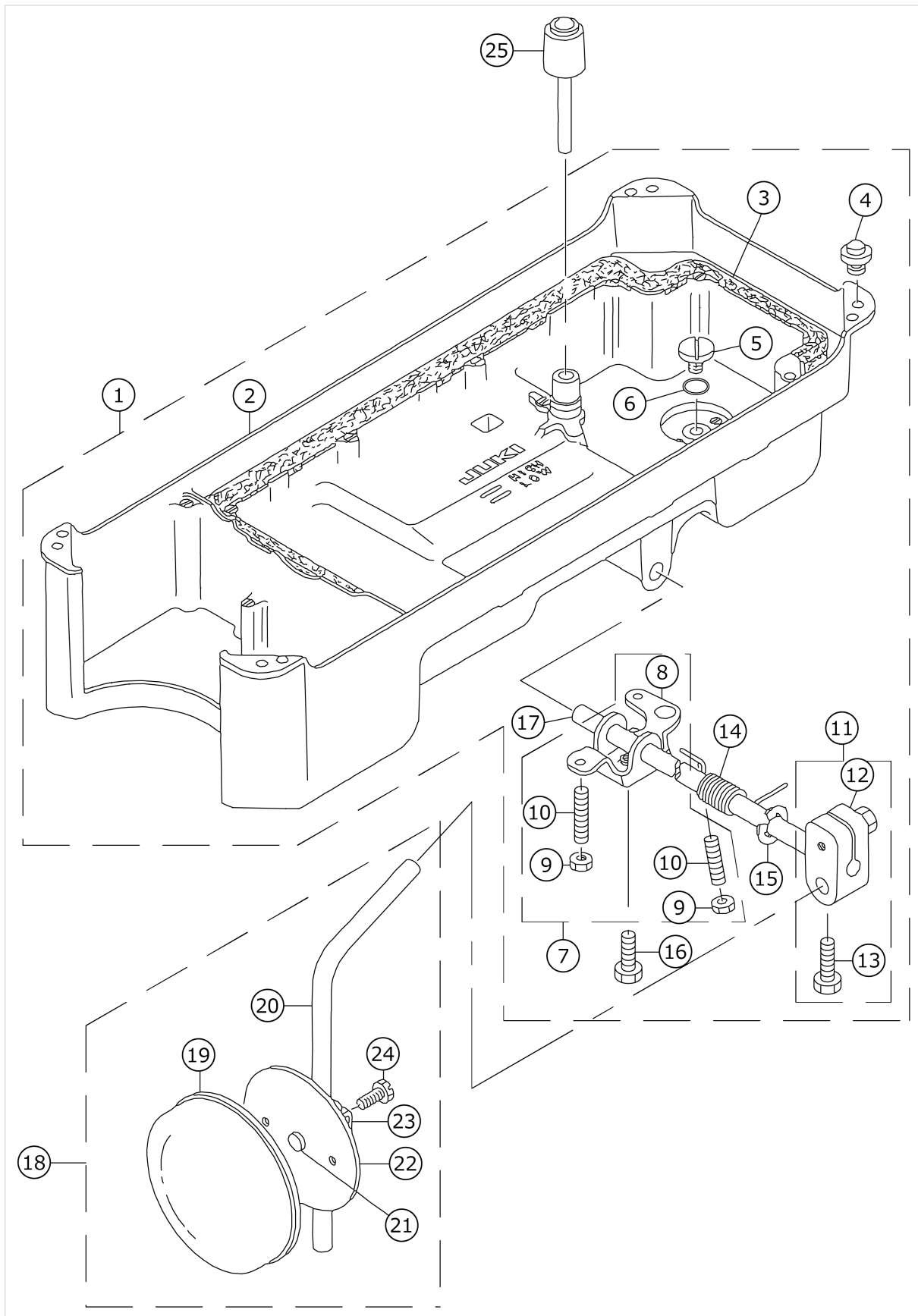
51	RO078190100	RUBBER RING				1.00
52	SS7620750SP	SCREW 3/16-32 L= 6.5				1.00
53	WZ1250300K0	WAVED WASHER 12.5X17X0.3				1.00

# OIL LUBRICATION COMPONENTS



No.	品番	品名	備考	子部品	消耗品	個数
1	22924708	OIL SIGHT WINDOW				1.00
2	RO195240100	RUBBER RING				1.00
3	22924401	MAIN SHAFT OIL TUBE				1.00
4	SS4150915SP	SCREW 15/64-28 L=9				1.00
5	22924609	MAIN SHAFT OIL TUBE				1.00
6	SS4120615SP	SCREW 3/16-28 L=6				1.00
7	22925101	OIL FELT PRESSER				1.00
8	22924153	OIL RETURN TUBE ASM.				1.00
9	22924302	HOLDER		*		1.00
10	CQ252000000	OIL WICK				0.21
11	22924500	OIL TUBE				1.00
12	22924807	TUBE HOLDER ,LOWER				1.00
13	SS4150915SP	SCREW 15/64-28 L=9				1.00
14	22924906	SPRING				1.00
15	22925002	OIL ADJUSTING SCREW				1.00
16	22923056	LUBRICATING OIL PUMP ASM.				1.00
17	22923304	OIL PUMP INSTALLING BASE		*		1.00
18	SL4030851SF	SCREW M3 L=8		*		3.00
19	22923007	OIL PUMP		*		1.00
20	22923700	OIL PUMP IMPELLER		*		1.00
21	SE4301041SR	SCREW D=3 L=10		*		3.00
22	22923205	LUBRICATING OIL PUMP COVER		*		1.00
23	22923809	OIL PUMP IMPELLER COVER		*		1.00
24	22923403	PLUNGER		*		1.00
25	22923601	PLUNGER SCREW		*		1.00
26	22923502	PLUNGER SCREW		*		1.00
27	22923908	HOOK DRIVING SHAFT OIL TUBE		*		1.00
28	SS6111010TP	SCREW 11/64-40 L= 9.5				1.00
29	22924005	OIL PUMP SUPPORT				1.00

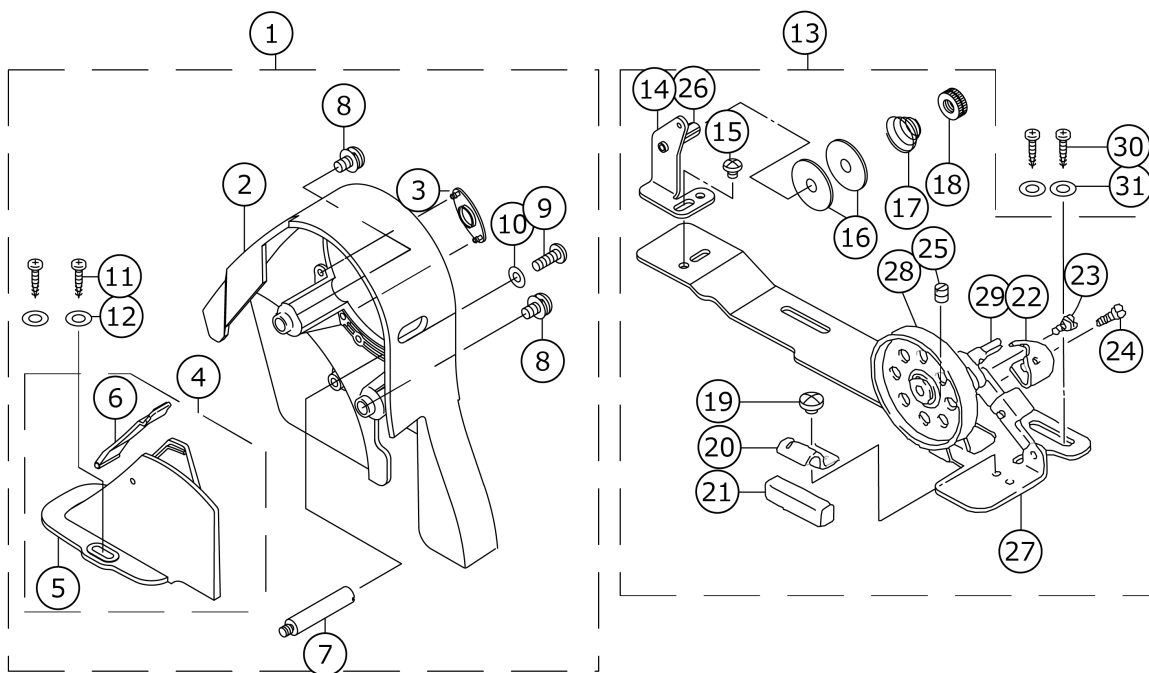
# OIL RESERVOIR COMPONENTS



No.	品番	品名	備考	子部品	消耗品	個数
1	22931851	OIL RESERVOIR COMPL.				1.00
2	22931802	OIL RESERVOIR		*		1.00
3	22931901	GASKET		*		1.00
4	22932008	RUBBER CUSHION		*		4.00
5	SS6700710SH	SCREW 5/16-24 L=7		*		1.00
6	RO098240100	RUBBER RING		*		1.00
7	22932156	KNEE LIFTER ROTATION ARM ASM.		*		1.00
8	22932107	CONNECTING ROT.VERTICAL		*		1.00
9	NM6060001SE	NUT M6		*		2.00
10	SM8063012TR	SCREW M6 L=30		*		2.00
11	22932453	BRACKET ASM.		*		1.00
12	22932404	BRACKET		*		1.00
13	SM9062053SR	SCREW M6 L=20		*		2.00
14	22932206	SPRING		*		1.00
15	RE1000000K0	E-RING 10		*		1.00
16	SM9061853SR	SCREW M6 L=17.5		*		1.00
17	22932305	KNEE PRESS ROD		*		1.00
18	22934251	KNEE PRESS PLATE ASM.				1.00
19	22934509	KNEE PRESS PLATE COVER		*		1.00
20	22934608	KNEE PRESS PLATE ROD		*		1.00
21	22934400	KNEE PRESS PLATE RUBBER		*		1.00
22	22934202	KNEE PRESS PLATE		*		1.00
23	22934301	KNEE PRESS PLATE HOLDER		*		1.00
24	SM9061203SE	SCREW M6 L=12		*		1.00
25	22931703	KNEE PRESS LIFTER ROD				1.00

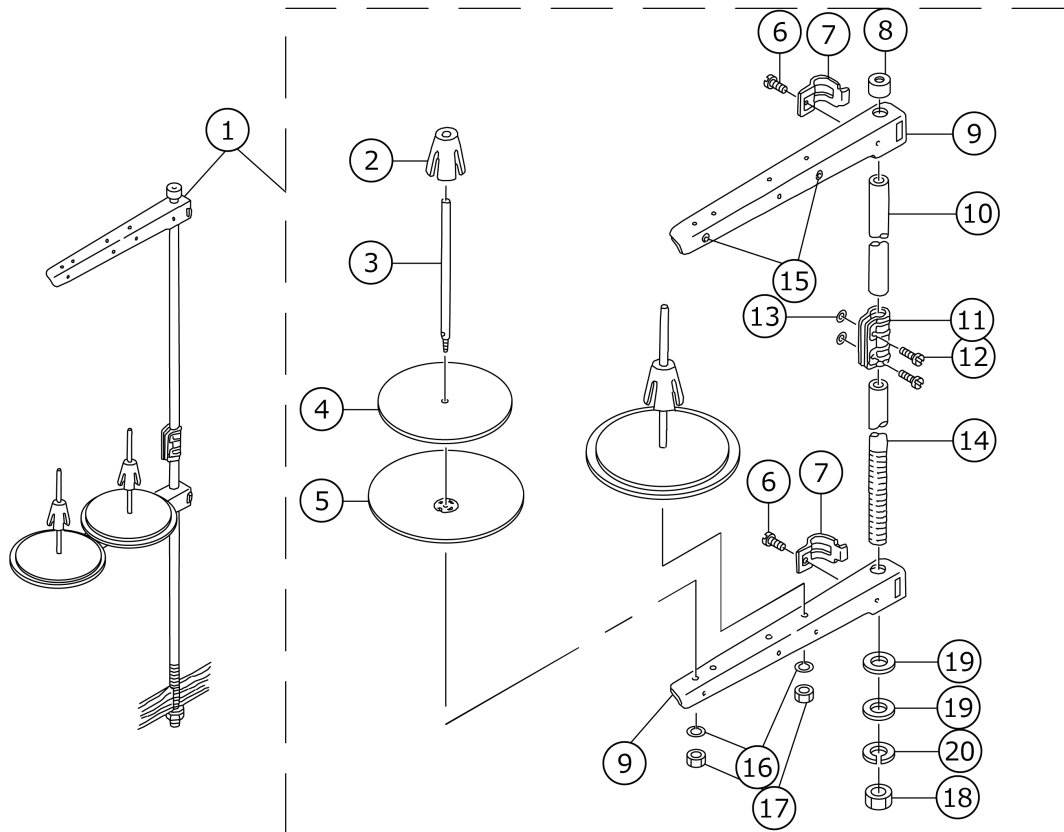


# BELT COVER & BOBBIN WINDER COMPONENTS



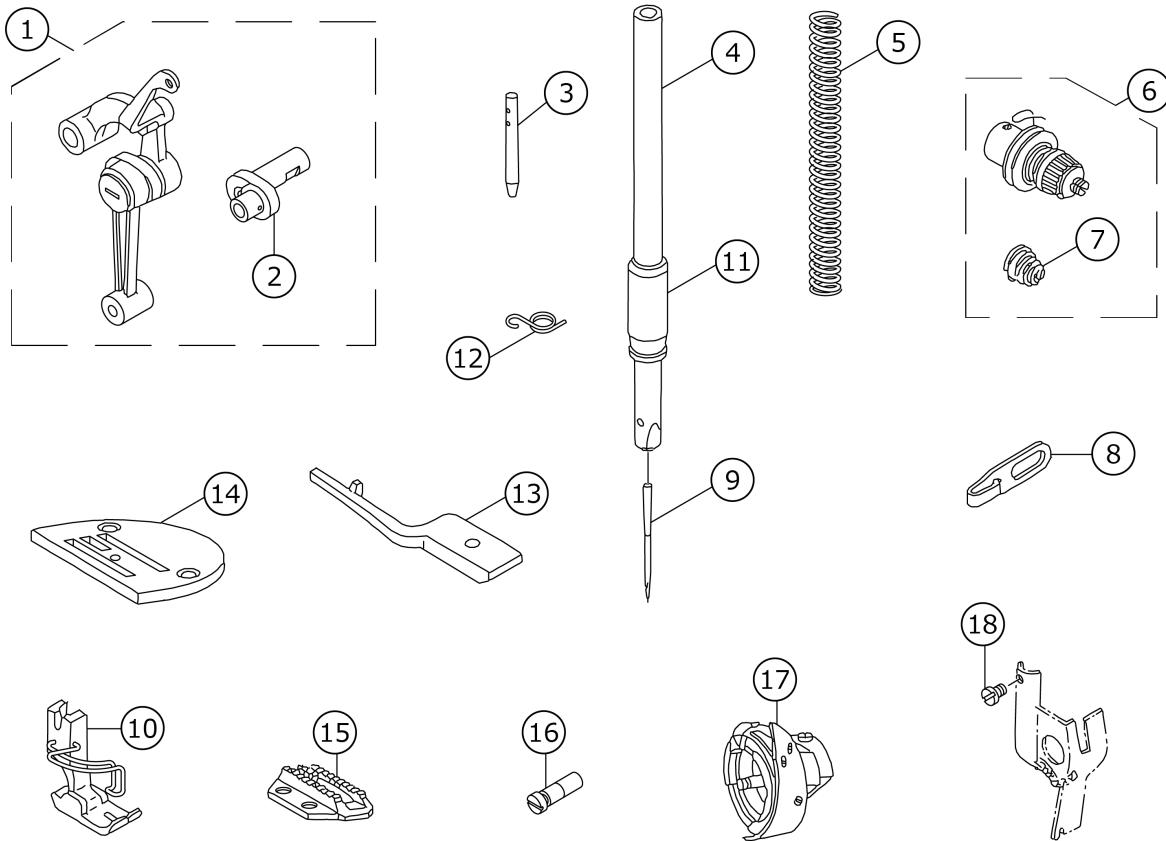
No.	品番	品名	備考	子部品	消耗品	個数
1	22933451	BELT COVER ASM.				1.00
2	22933402	BELT COVER A		*		1.00
3	22933501	BELT COVER A CAP		*		1.00
4	22933659	BELT COVER B ASM.		*		1.00
5	22933600	BELT COVER B		*		1.00
6	22933758	BELT COVER B CAP ASM.		*		1.00
7	22933907	BELT COVER SUPPORT ,A		*		1.00
8	22934004	BELT COVER A SCREW		*		2.00
9	SS4121415SP	SCREW 3/16-28 L=14		*		1.00
10	WP0501016SD	WASHER 5X10.5X1		*		1.00
11	SK3412000SC	WOOD SCREW D=4.1 L=20		*		2.00
12	WP0450826SC	WASHER 4.5X10X0.8		*		2.00
13	22927354	BOBBIN WINDER COMPL.				1.00
14	22928501	THREAD TENSION BRACKET		*		1.00
15	SS4110515SP	SCREW 11/64-40 L=5		*		1.00
16	22928907	THREAD TENSION DISK		*		2.00
17	22929004	THREAD TENSION SPRING		*		1.00
18	22928808	THREAD TENSION NUT		*		1.00
19	SS7110350SP	SCREW 11/64-40 L=3.5		*		1.00
20	22928402	RUBBER BRAKE PRESSER PLATE		*		1.00
21	22928303	RUBBER BRAKE		*		1.00
22	22928105	POSITIONING FINGER		*		1.00
23	SD0490261SP	HINGE SCREW D=4.9 H=2.6		*		1.00
24	SS7081310SP	SCREW 1/8-44 L=12.5		*		1.00
25	SS8110510SP	SCREW 11/64-40 L=5		*		1.00
26	22928709	THREAD TENSION BRACKET		*		1.00
27	22927305	BOBBIN BASE		*		1.00
28	22927404	BOBBIN PULLEY		*		1.00
29	22927602	BOBBIN WINDER POST		*		1.00
30	SK3412000SC	WOOD SCREW D=4.1 L=20				2.00
31	WP0450826SC	WASHER 4.5X10X0.8				2.00

# THREAD STAND COMPONENTS



No.	品番	品名	備考	子部品	消耗品	個数
1	22930358	THREAD STAND ASM.				1.00
2	22931109	SPOOL RETAINER		*		2.00
3	22931000	SPOOL PIN		*		2.00
4	22930903	SPOOL REST CUSHION		*		2.00
5	22930804	SPOOL REST		*		2.00
6	SM6061610SC	SCREW M6 L=16		*		2.00
7	22930705	THREAD GUIDE ARM JOINT		*		2.00
8	22931406	SPOOL REST ROD RUBBER CAP		*		1.00
9	22930507	SPOOL REST ARM		*		2.00
10	22930408	SPOOL REST ROD, UPPER		*		1.00
11	22931307	SPOOL REST ROD JOINT		*		1.00
12	SM4051405SE	SCREW M5 L=14		*		2.00
13	NM6050001SE	NUT M5		*		2.00
14	22930309	SPOOL REST ROD, LOWER		*		1.00
15	22931208	THREAD GUIDE		*		2.00
16	WS0510002KN	SPRING WASHER		*		2.00
17	NM6050001SE	NUT M5		*		2.00
18	NM6160511SE	NUT M16X1.5		*		1.00
19	WP1702600S0	WASHER 17X30X2.6		*		2.00
20	WS1643202KR	SPRING WASHER		*		1.00

# EXCLUSIVE PARTS FOR DDL-8300H



No.	品番	品名	備考	子部品	消耗品	個数
1	11091659	LINK THREAD TAKE-UP LEVER ASM.				1.00
2	11091600	NEEDLE BAR CRANK H		*		1.00
3	B1114012000	THREAD GUIDE PIN				1.00
4	11091303	NEEDLE BAR				1.00
5	B1505552000A	PRESSER SPRING				1.00
6	22962054	THREAD TENSION ASM.				1.00
7	22962005	THREAD TENSION SPRING		*		1.00
8	11091006	ARM THREAD GUIDE (HA)				1.00
9	MDB100B2100	NEEDLE DBX1 #21				1.00
10	B1511543BBA	HINGED PRESSER FOOT ASM.				1.00
11	B1403553000	NEEDLE BAR BUSHING, LOWER				1.00
12	B1419553000	NEEDLE BAR THREAD GUIDE				1.00
13	11091709	POSITIONING FINGER				1.00
14	B1109555H0B	THROAT PLATE (H)				1.00
15	B1613555H00	FEED DOG (H)				1.00
16	B1213552000A	OIL ADJUSTING PIN				1.00
17	11092459	LUBRICATING BOBBIN ASM.				1.00
18	SS6080320SP	SCREW 1/8-44 L= 2.5				1.00

# HOW TO MAKE USE OF THIS PARTS LIST

1.As to "#01" and "#02" refer to the "Note" given at the bottom of the respective pages.

2.Codes on the "Qty" column

- Each numeral indicates the number of parts required.
- "0.1" and "2.5" indicate the length (in meters) of the respective parts.

3.Parentheses mean that the corresponding part is a subpart that constructs an assembly part.

4.Dotted lines on the Figures indicate assembly parts.

1. リストページの# 0 1、# 0 2の印は、ページ下の"注記"の説明を参照下さい。

2. 数量欄の数字は、個数を表し、0. 1、2. 5等の数値は、長さ（単位メートル）を表します。

3. 数量欄の（ ）は、組部品を構成している子部品であることを意味します。

4. イラストページの-----枠は、組構成であることを意味します。